

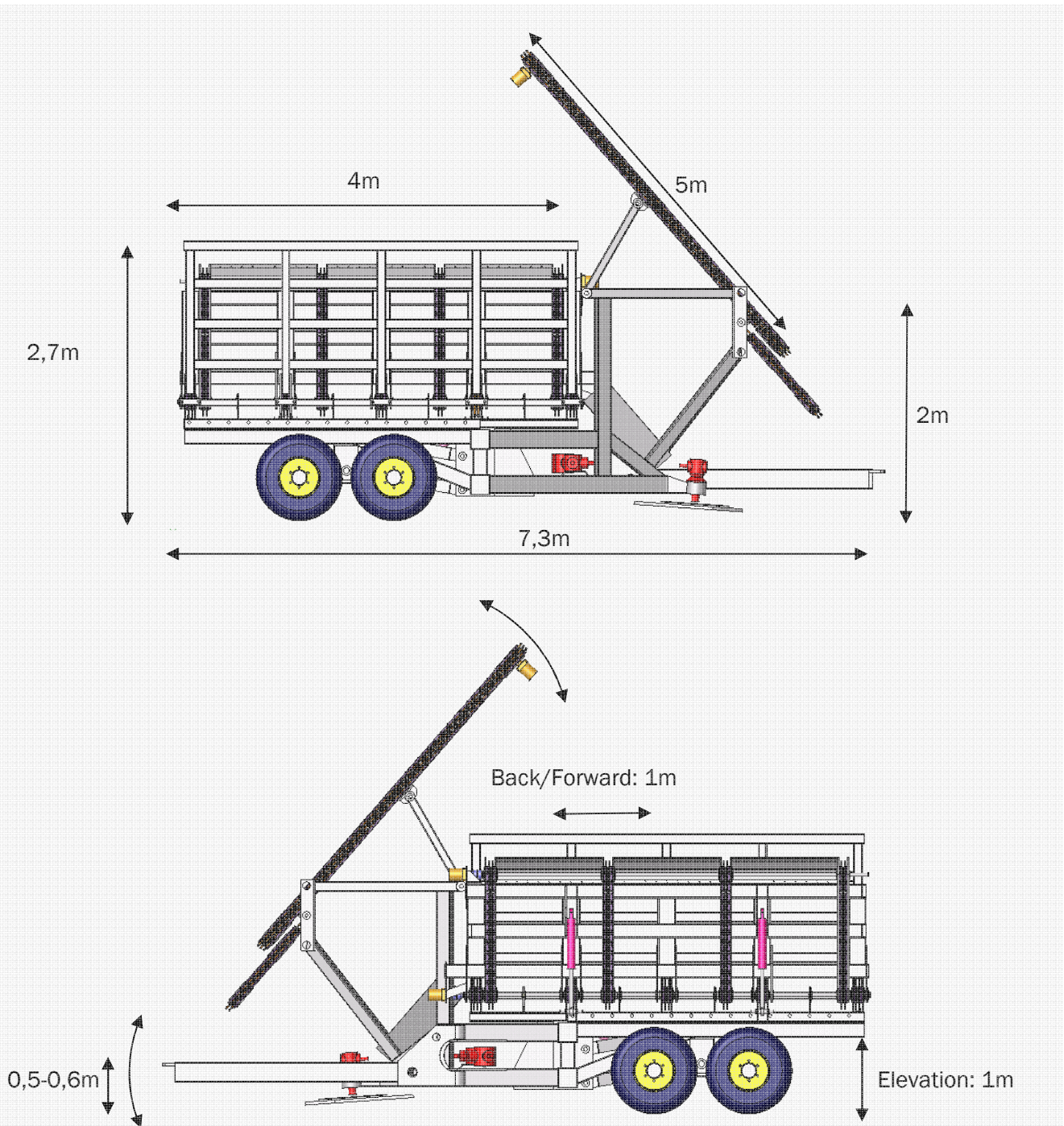
**STEMSTER MK III
SPECIFICATIONS**



New Nordic Biomass a/s

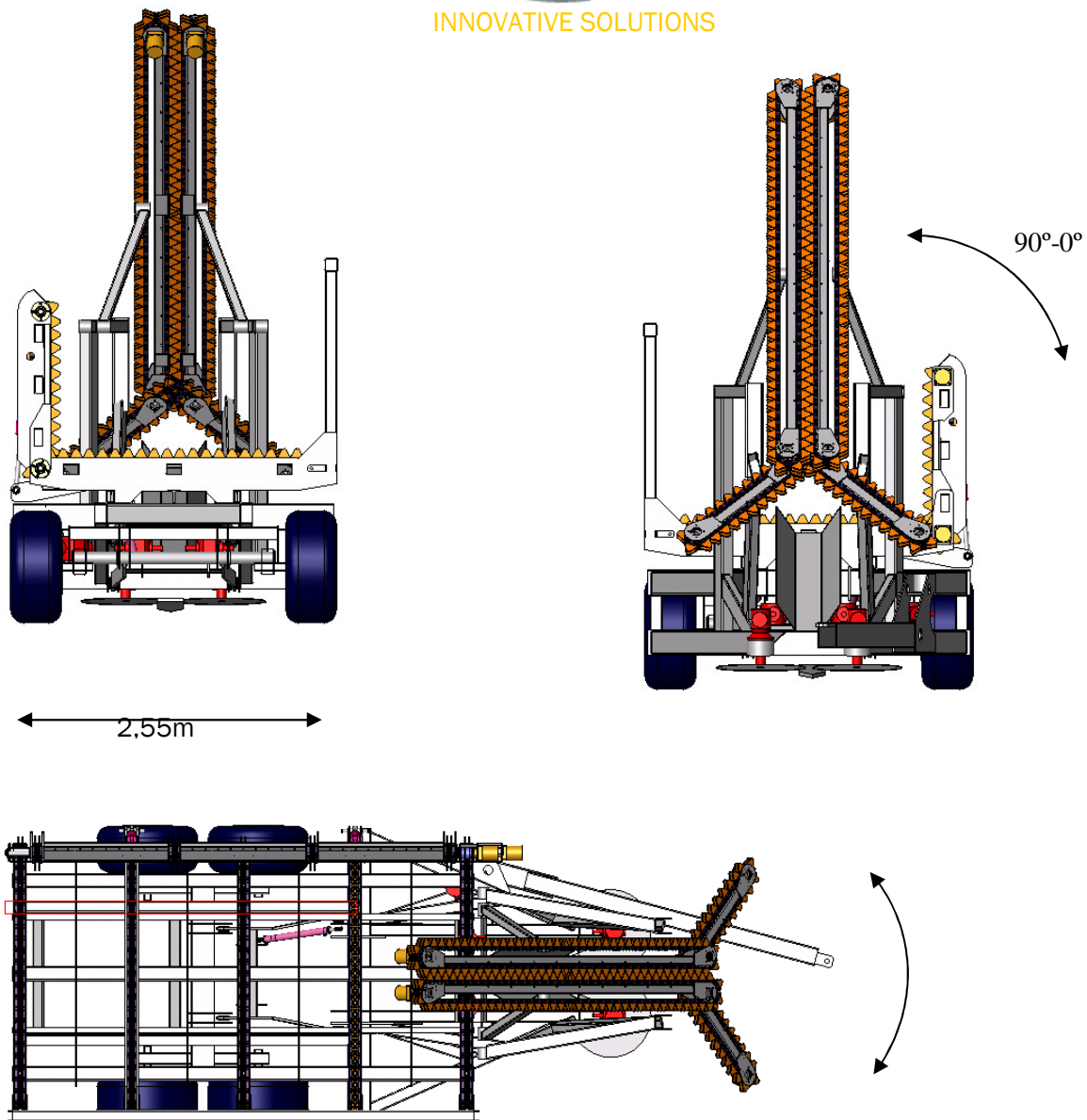
Administration: Villerup Hovedgaard, Villerupvej 78, DK-9800 Hjørring Ph.: +45 98962073 info@nordicbiomass.dk
Production: Hvidstedgaard Hovedgaard, Hvidstedvej 75, DK-9830 Taars

TECHNICAL OUTLINE



All measurements are a proximal, and given in meters.

NEW
NORDIC BIOMASS
INNOVATIVE SOLUTIONS



All measurements are a proximal, and given in meters.

NB STEMSTER MK is adapted to a standard planting system with double rows (row spacing 750 mm) and 1500 mm between double rows.

Nordic Biomass continually strives to adapt all its products to better meet practical requirements. We therefore reserve the right to change technical specifications.

New Nordic Biomass a/s

Administration: Villerup Hovedgaard, Villerupvej 78, DK-9800 Hjørring Ph.: +45 98962073 info@nordicbiomass.dk
Production: Hvidstedgaard Hovedgaard, Hvidstedvej 75, DK-9830 Taars

TECHNICAL DATA

Weight, empty	7000 kg
Weight capacity (payload)	4500 kg
*) Power required, minimum	kW/HP 95/130
Power, maximum	kW/HP 150/200
P.T.O. rpm.	1000 min ⁻¹
Hydraulic pressure from tractor	200 bar
Hydraulic flow capacity from tractor	90 l/min
Electric power	12V 2x30A
Oil tank on machine	300l
Number of saw blades	2 Stk.
Diameter on saw blades	Ø700 mm
Rpm. saw blades	2700 min ⁻¹
Optimal cutting height for saw blades (from the ground up)	100-200mm
Centre distance between saw blades (C-C)	750mm
Cutting capacity height of willow Crop height	up to approx. 8 m
Cutting capacity in willow (diameter of stems)	Ø80mm
Maximum height of willow	Ca. 8000mm
Maximum harvesting speed	7 km/h
Safety distance to machine	70m
Optimal height for tow bar connection	55-50cm
Driving on slopes	Max. 25%
Working speed	up to 7 km/t
Harvest capacity (depending on conditions)	approx. 0,3 - 0,5 ha/hour

Tractor requirements:

The Stemster must be coupled to a suitable tractor, that match the Stemster's weight, regarding to handling and braking under transport on public roads. The local regulations for these matters must be followed.

*) The given kW/HP, stated above, is a minimum. Driving in hilly terrain, or a dense crop, then it's recommended that a larger tractor is used. Be also aware that a fully loaded machine, driving in soft terrain, will require 40-50 HP more for propulsion, than in firm terrain.